



Brush Guard for AX2, AX3, AX4

Part# E1-002

INSTALLATION INSTRUCTIONS

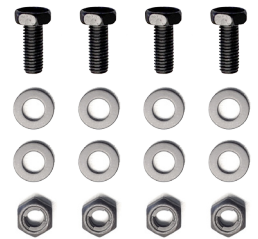
Included in this Kit



Brush Guard



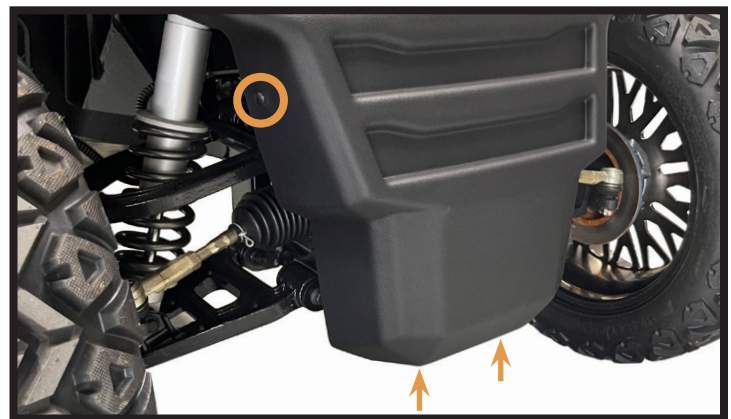
Brackets



Hardware

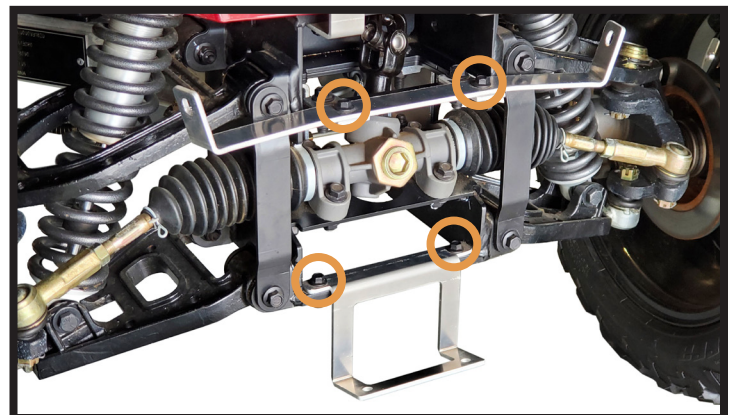
STEP 1

Remove the front bumper screws (4) using a #2 Phillip's head screwdriver and 10mm socket.



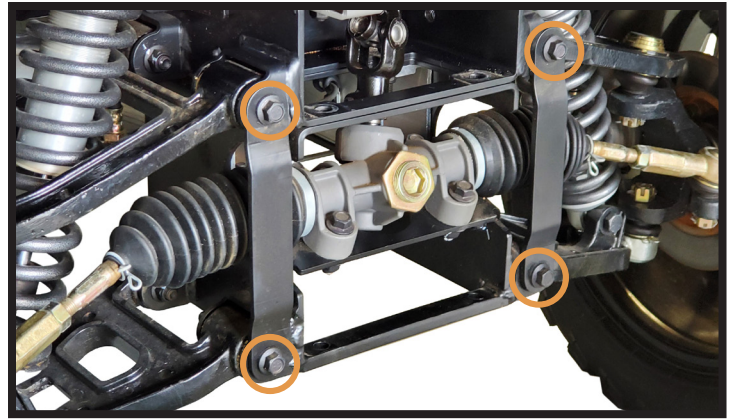
STEP 2

Remove the old bumper brackets using a 10mm wrench, 13mm socket, and 15mm socket.



STEP 3

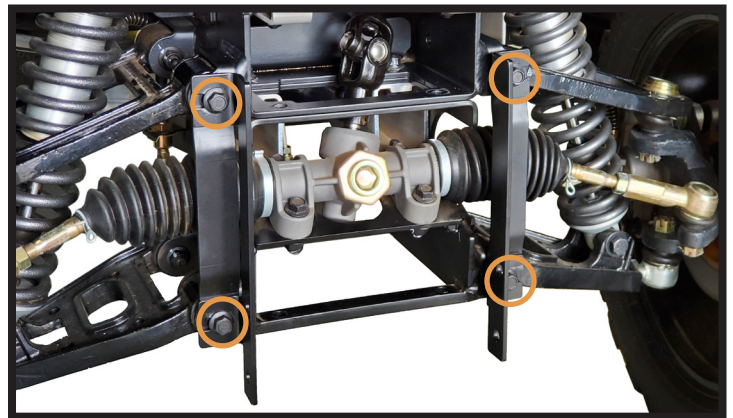
Loosen **but do not** remove the a-arm bolts with a 13mm socket and 15mm wrench.



STEP 4

Install the mounting bracket behind the bolt heads.

Once brackets are in place, tighten hardware.



STEP 5

Attach brushguard to brackets using supplied bolts and a 17mm socket and 17mm wrench.



INSTALLATION COMPLETE

For more instructions and videos visit sierralsv.com